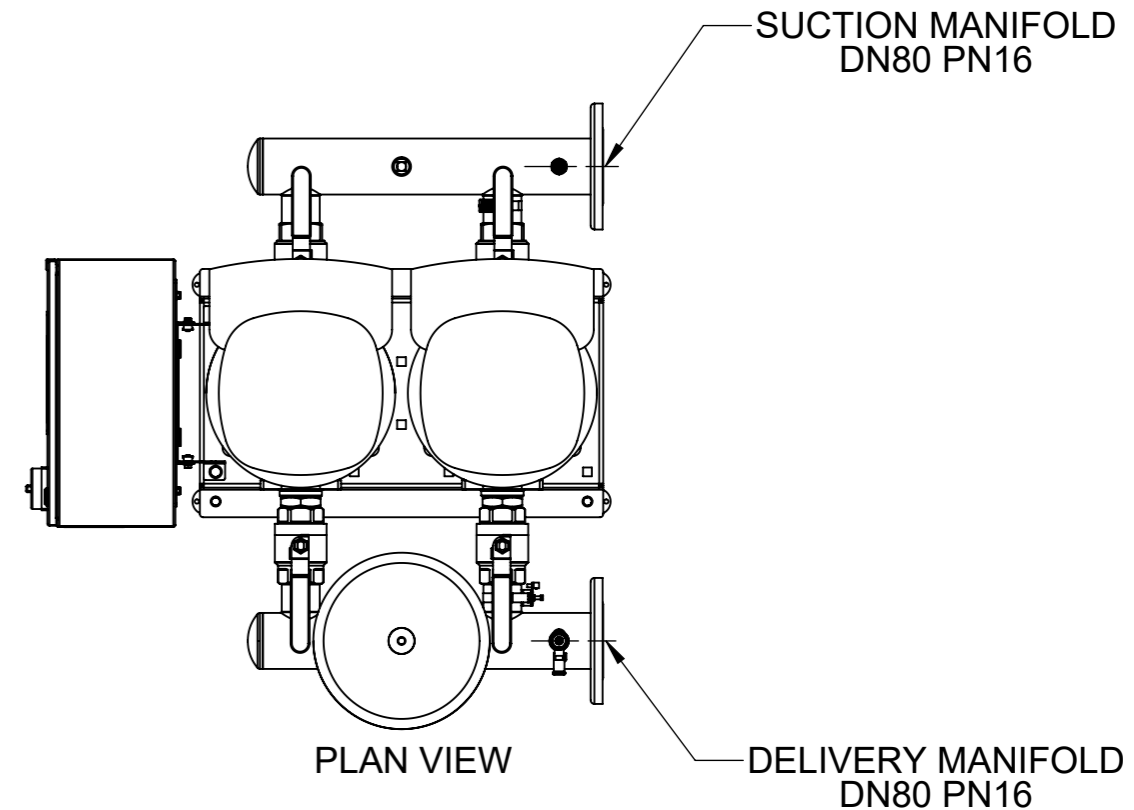
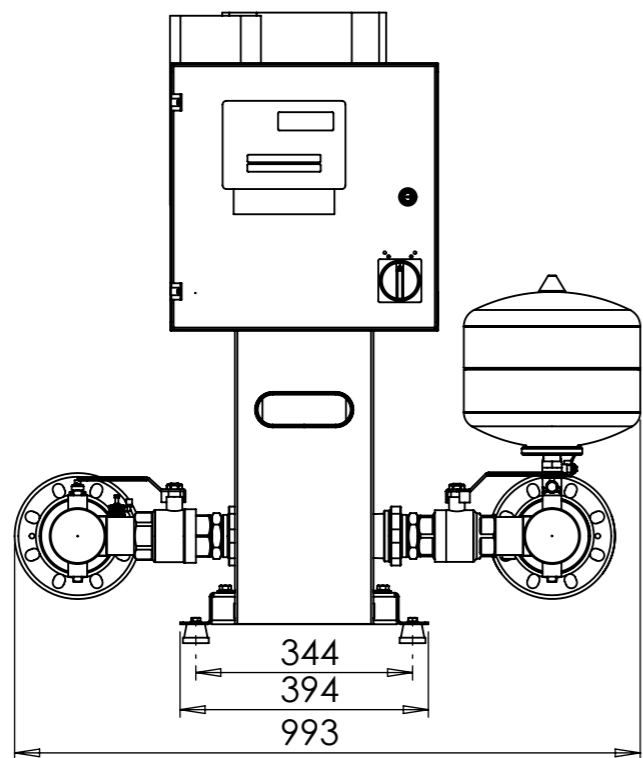


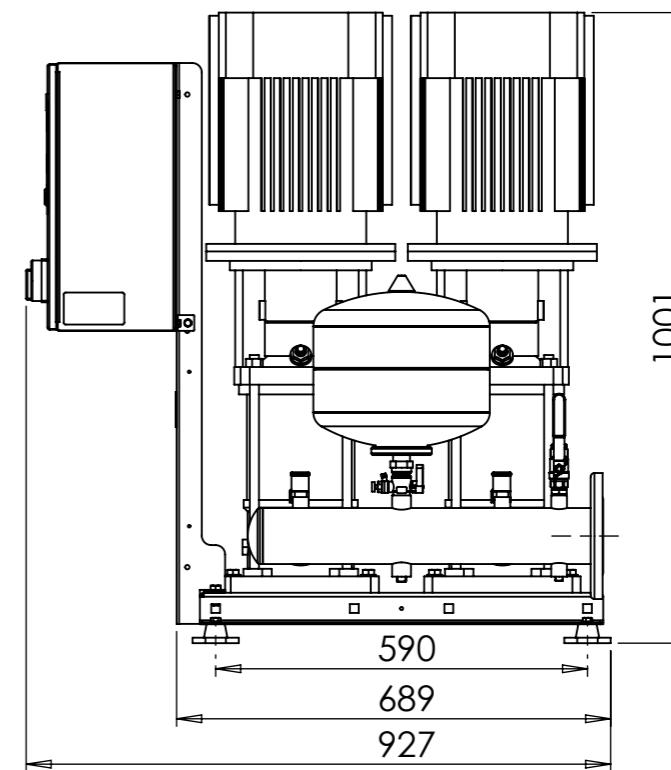
ISOMETRIC VIEW



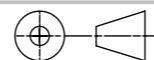
PLAN VIEW



FRONT VIEW



RIGHT VIEW



UNLESS OTHERWISE SPECIFIED:  
DIMENSIONS ARE IN MILLIMETERS  
GENERAL TOLERANCE +/-10  
THIS DRAWING IS COPYRIGHT OF  
AQUATECH PRESSMAIN AND  
SHOULD NOT BE REPRODUCED  
WITHOUT WRITTEN PERMISSION  
3RD ANGLE PROJECTION



**DO NOT SCALE DRAWING**

Head Office: AGM House, London Road,  
Copford, Colchester, Essex, CO6 1GT, UK  
Phone: +44 (0)1206 215121 Fax: 215131  
Web: www.aquatechpressmain.co.uk  
Email: info@aquatechpressmain.co.uk

Drawn By:KS	Date Drawn:9/11/2019
Scale: <b>1:12 A3</b>	Mod Rev: 05 Weight: 234.15kg
Dwg Rev: 01	Status: Approved

REVISIONS				
ZONE	REV.	DESCRIPTION	APPROVED	DATE
	01	FIRST CHECK IN	KS	11-09-2019

TITLE: **AMV2-FE-12-18-24.pdf**

DWG NO. **AMV2-FE-12-18-24**